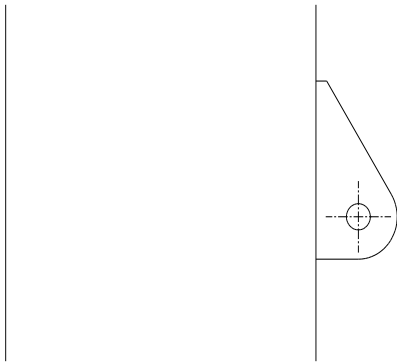


J/80 Class Rules

PART III – Appendix

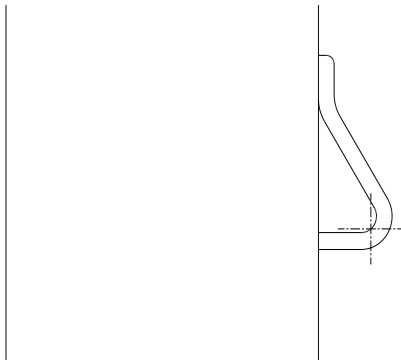
H.6 Forestay Measurement Point (Rule #C.8.4)

Hall Spars Mast



Forestay measurement point at center of forestay pin.

Sparcraft France Mast



Forestay measurement point at forward, lowermost bearing surface of forestay toggle.